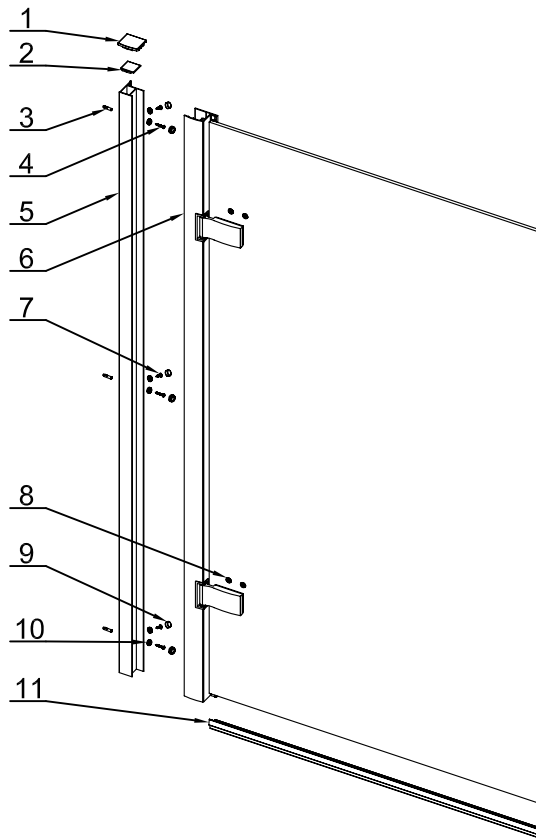


COMPONENTS AND BOX CONTENTS



No.	Description	QTY	Part No.
1	Top cap	2	V2102L/R
2	Universal cap	1	V2105
3	Wall plug	3	V6113
4	B head screw	3	V4111
5	Wall profile	1	MOBR001
6	Moving panel	1	
7	Flat head screw	1	V4109
8	S6P11 Countersunk screw cap	4	MOBR010
9	Cover cap	6	V2109
10	Washer	6	V2110
11	Bottom water seal	1	MOBR004
12	Ø3mm drill	1	V6115

Spare list



V2102L
x 1



V2102R
x 1



V2105
x 1



MOBR010
x 4



V6113
x 3



V2110
x 6



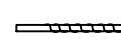
V2109
x 6



V4111
x 3



V4109
x 3



V6115
x 1

Tools required

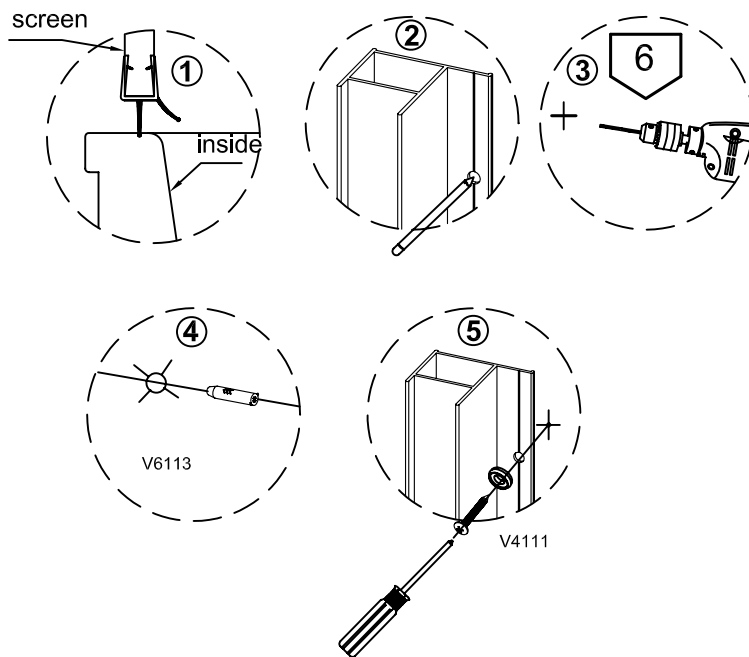
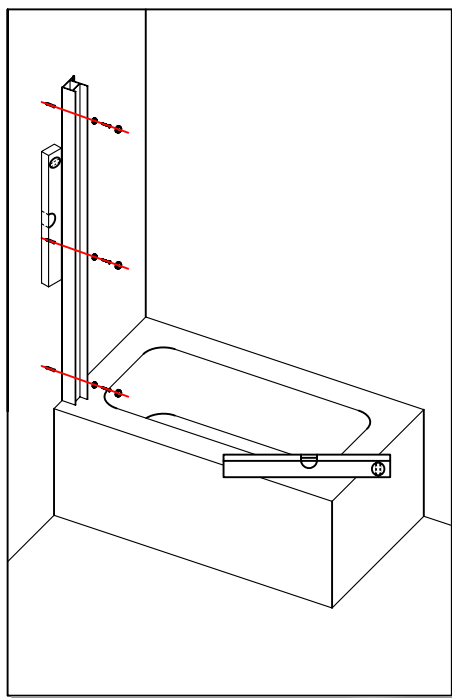
- 6mm Masonry drill bit
- Power drill
- Quality silicone
- Pencil
- Tape Measure
- #2 Philips Head screw driver
- Spirit level with horizontal and vertical level indicators

IMPORTANT - Installation site

1. Ensure the top surface of the bath on which the screen will be installed is level in every direction. This screen is not designed to fit on baths with stepped fronts, roll top rims or integral soap dishes.
2. The tiling or other wall finishing should be effectively sealed at the bath edges.
3. Tiles should extend at least to the corners of the bath and a minimum of 1.6 meters from the top of the bath.

FITTING INSTRUCTION

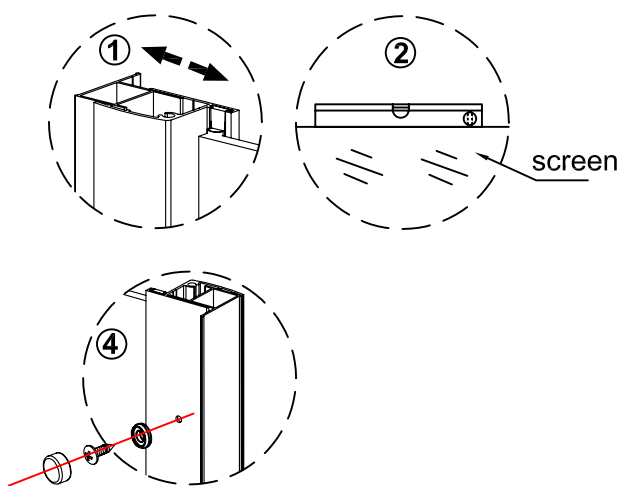
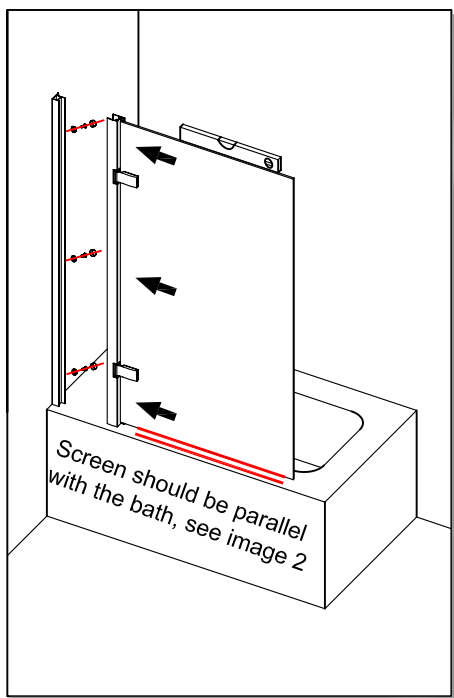
Step 1



Step 1.

Position the wall profile so the seal on the moving panel sits over the inside edge of the bath screen. Fix wall profile using screw V4111.

Step 2



TIP: To ensure correct gap fit seal as in step 3A first.

Step 2.

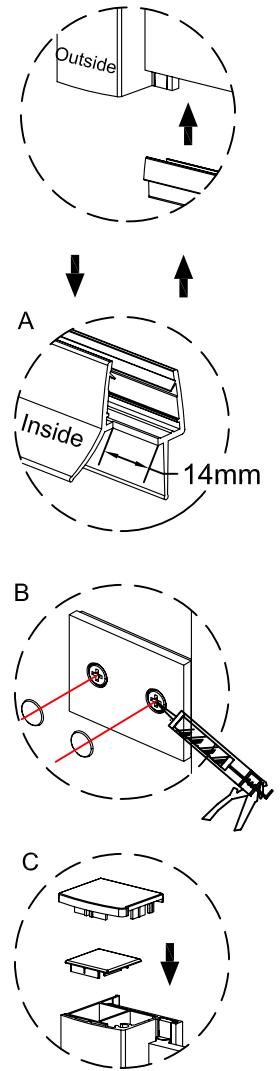
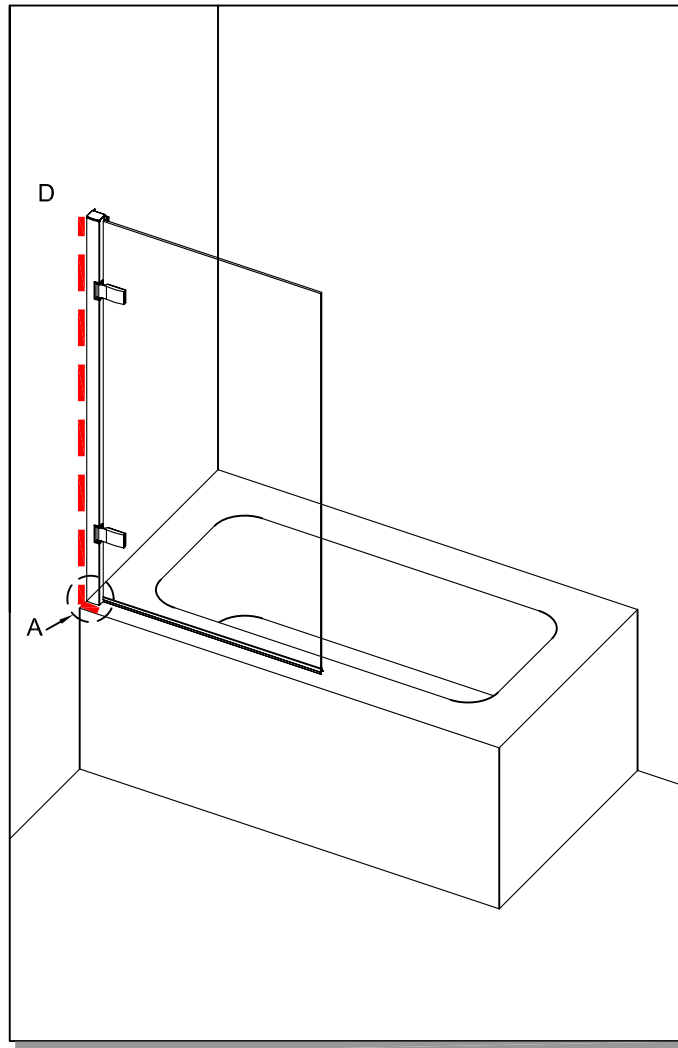
Insert glass panel to the fixed wall profile. Adjust the bottom edge of bathscreen parallel with bathtub by adjusting wall profile and glass panel. Ensure they are parallel then drill 3mm holes on the overlap of wall profile and upright profile, fix them tightly with 4*12 screw, fit the cover cap.

Step 3

24 HRS



DO NOT use the enclosure for 24 hrs after sealing.



Step 3.

- A. Fitting bottom water seal. Cut a notch to inside at the end which meets the wall profile, fit water seal to the bottom of glass panel.
- B. Fit cover screw cap to the hinges, add dab of silicone to back of cover cap.
- C. Fit top cap to the top of wall profile, fit V2105 first, and then cover the V2102L/R as picture show. Put dab of silicone to bottom of cover caps to hold in place.
- D. INSIDE: Seal between wall profile and wall from top to bottom, (dashed line).
OUTSIDE: Seal bottom of wall profile and 50mm up between the wall and the wall profile (full line).

For any further information please visit our website,
www.merlynshowering.com